

# SERVER

• E S S E N T I A L S •

## Topping Warmer Food Server with Pump

SPECIFICATION SHEET

### FAST FACTS

FSP Warmers precise temperature control, even heat and accurate portioning ensures more warm dessert topping is served from each 3 qt jar or #10 topping can.

### APPLICATIONS

- Indulge your menu with heated dessert sauces like hot fudge, creamy caramel or white chocolate; served with consistent portions for the ideal presentation, every time
- Adaptable base converts to serve with a ladle from a #10 can or stainless steel jar (accessory - 94009) or into a Signature Touch™ Squeeze Bottle Warmer

### DETAILS

- The classic FSP stainless steel water-bath warmer and pump defines Server Essentials in just 8 in of countertop
- Toppings and sauces are served at their peak flavor with a temperature-controlled thermostat to turn the wrap-around heating element on or off as needed
- Portion-control pump manages serving sizes of expensive ingredients; serve 1-oz max, adjustable in 1/8 oz increments
- Serve from a 3 qt Jar 94009 (recommended) or #10 topping can
- Coordinate pump knob with store theme or contents within; specify color and text when ordering



Thermostat Knob



Optional:  
Squeeze  
Bottle Inset  
Kit 86819

Spacer 82063 (included)  
Critical to Proper Operation



With Spacer

Without Spacer

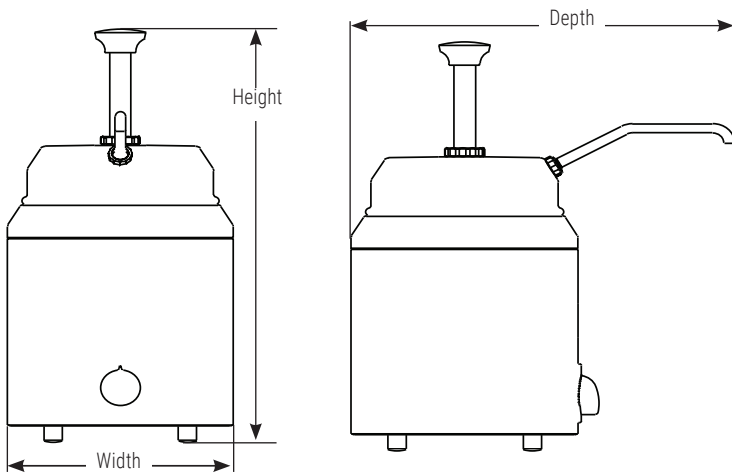
Optional: Stainless Steel Jar 94009  
& Storage Lid 94008



## Even heating. Even better toppings.

### TOPPING WARMER WITH PUMP MODEL: FSP

Server model FSP is a stainless steel, rethermalizing water-bath warmer with pump. An adjustable, temperature-sensing thermostat controls the 500 watt, wrap-around heating element, turning it off and on as needed. Temperature settings are marked on the thermostat knob and an ON/OFF rocker switch controls power. Unit dispenses from a #10 can or 3 qt stainless steel jar 94009. Maximum portion yields 1 oz; reduces in 1/8 oz increments. 120V AC 4.2 A, 500-Watts, NEMA 5-15P plug with 72 inch power cord. 2-Year warranty.



### TOPPING WARMER WITH PUMP

| order amt                | model/item                | description              | capacity          | dims (H x W x D)       | plug | electrical        | watts | weight |
|--------------------------|---------------------------|--------------------------|-------------------|------------------------|------|-------------------|-------|--------|
| <input type="checkbox"/> | <a href="#">FSP 82060</a> | topping warmer with pump | #10 can, 3 qt jar | 16 x 7 3/4" x 13 1/16" |      | 120 V AC<br>4.2 A | 500   | 9 lb   |

### ACCESSORY ITEMS

| order amt                | item                  | description  |
|--------------------------|-----------------------|--|
| <input type="checkbox"/> | <a href="#">94009</a> | stainless steel 3 qt jar                                   |
| <input type="checkbox"/> | <a href="#">94008</a> | abs plastic, jar storage lid                               |
| <input type="checkbox"/> | <a href="#">86819</a> | squeeze bottle inset kit with (3) 16 oz, high-temp bottles |

ADDING INDULGENCE TO YOUR MENU BEGINS WITH FSP  
 SERVER-PRODUCTS.COM | 800.558.8722 | 262.628.5600